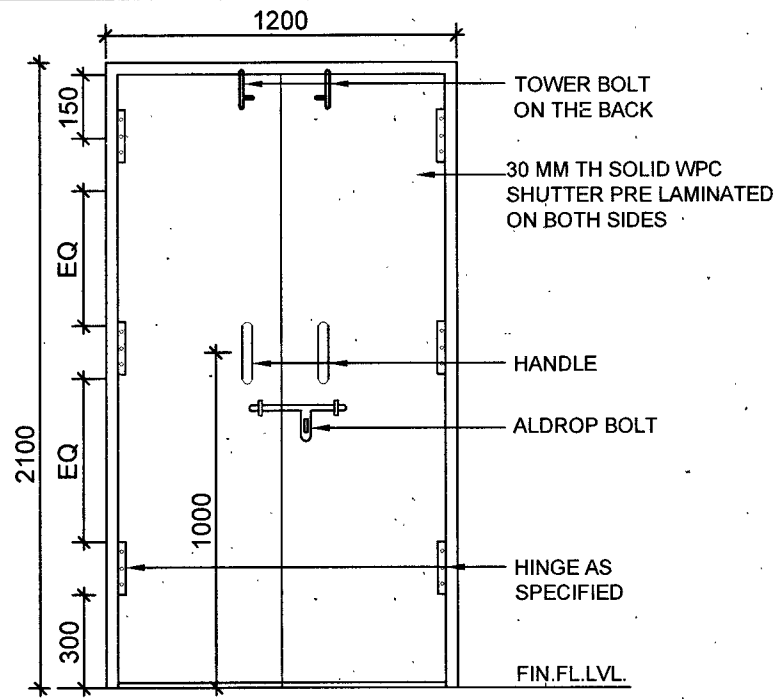
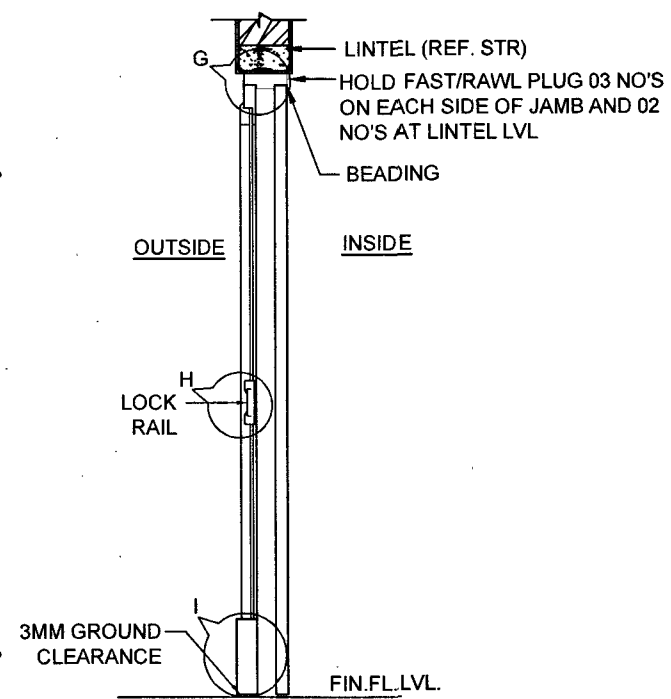


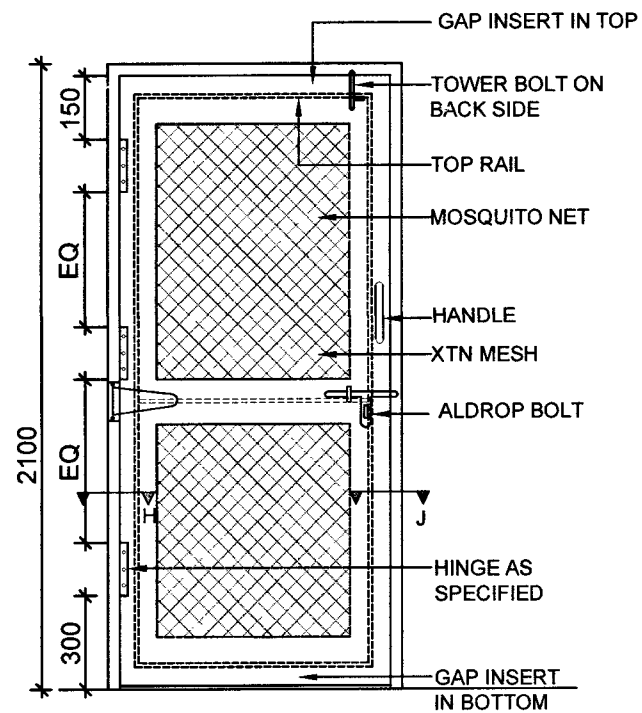
ELEVATION (INSIDE)



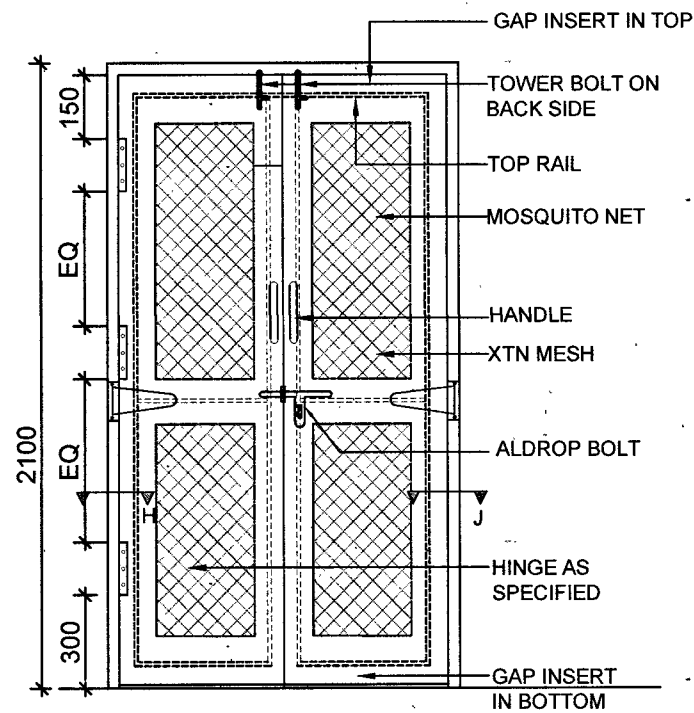
ELEVATION (INSIDE)



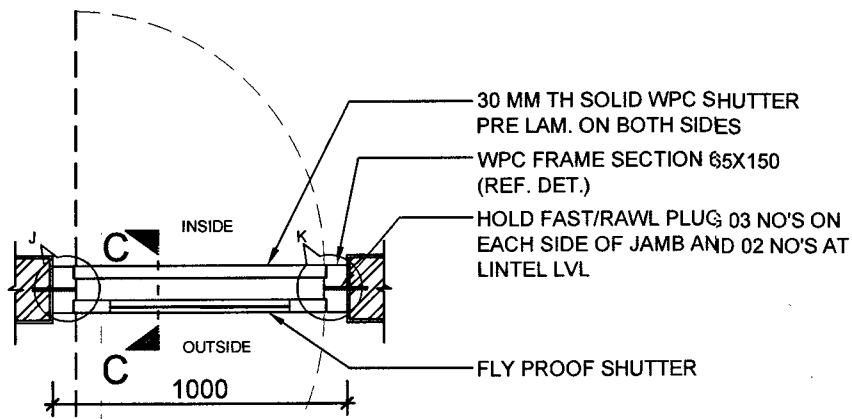
SECTION C-C



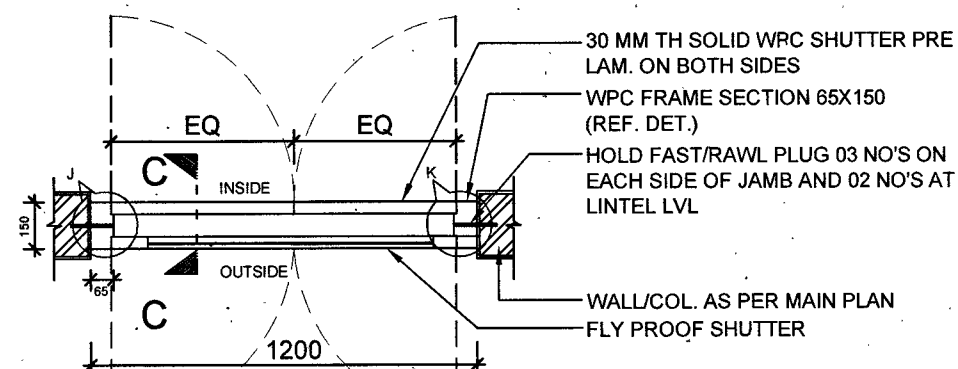
ELEVATION (OUTSIDE)



ELEVATION (OUTSIDE)



PLAN DENOTATION :- D-10F



PLAN DENOTATION :- D-12F

NOTES:

- 1 CONTRACTOR TO CHECK AND VERIFY ALL DIMENSION BEFORE EXECUTION OF WORK
- 2 ALL DIMENSION ARE GIVEN IN M.M
- 3 FIGURED DIMENSION SHALL BE FOLLOWED
- 4 ALL FITTING/FIXING ARRANGEMENT SHALL BE PROVIDED AS PER MANUFACTURES INSTRUCTIONS

ARCH DRAWINGS PREPARED UNDER CONSULTANCY BY M/S THE DESIGN FACTORY, 293, CHHOTI BARANDARI PART-1 JALANDHAR,PUNJAB THE SAME ARE SIGNED BY US AS PER E-IN -C'S BRANCH POLICY LETTER NO.08/2017 ISSUED UNDER E2 WORKS (PPC)SUB DTE,DTE OF WORKS ,LETTER NO. A/00157/23-1/POL/E2W(PPC) DATED 02 JULY 2017

SL NO	DATE	DESCRIPTION	INITIAL
REVISION			

DETAILS OF WPC DOORS

DATE	13/03/2025	CHIEF ENGINEER	SHEET NO
DRAWN		JALANDHAR ZONE	02
CHKD			03
SCALE	AS SHOWN	DRG NO : CEJZ / TD-93 / 2025	

CONSULTANTS:

 THE DESIGN FACTORY
 293 CHHOTI BARANDARI PART 1 - JALANDHAR +91 9876602949 thedesignfactory7@gmail.com

 DIRECTOR (ARCH) for CHIEF ENGINEER
 AAD (ARCH)